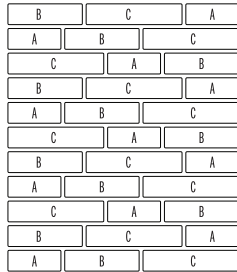




## LINEA SMALL RECTANGLES

DESCRIPTION: Paver TEXTURE: Smooth

### PALLET OVERVIEW









### NOTES

See page 62 to 64 for more technical information.

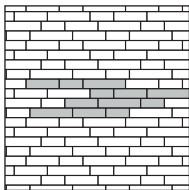
See page 30 for more information about applications.

Specifications per pallet	Imperial	Metric
Cubing	<b>80.81 ft<sup>2</sup></b>	7.51 m <sup>2</sup>
Approx. Weight	3 634 lbs	1 648 kg
Number of rows	7	
Coverage per row	11.54 ft <sup>2</sup>	1.07 m <sup>2</sup>
Linear coverage per row	35.25 lin. ft	10.74 lin. m

	Unit dimensions	in	mm	Units/pallet
	Height	3 <sup>15</sup> / <sub>16</sub>	100	77 units
	Width	3 <sup>15</sup> / <sub>16</sub>	100	
	Length	8 <sup>7</sup> / <sub>8</sub>	225	
	Height	3 <sup>15</sup> / <sub>16</sub>	100	77 units
	Width	3 <sup>15</sup> / <sub>16</sub>	100	
	Length	12 <sup>13</sup> / <sub>16</sub>	325	
	Height	3 <sup>15</sup> / <sub>16</sub>	100	77 units
	Width	3 <sup>15</sup> / <sub>16</sub>	100	
	Length	16 <sup>3</sup> / <sub>4</sub>	425	

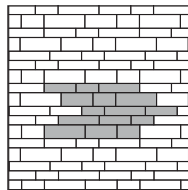
### 01 | Linear pattern

100% - small rectangles



### 03 | Linear pattern

52% - large rectangles | 48% - small rectangles



Patterns are for design inspiration only. The installer is responsible to calculate & purchase the correct amount of material.

Chestnut Brown

Champlain Grey

Shale Grey

Onyx Black

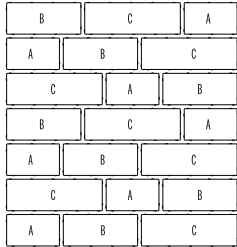




# LINEA LARGE RECTANGLES

DESCRIPTION: Paver TEXTURE: Smooth

## PALLET OVERVIEW









## NOTES

See page 62 to 64 for more technical information.

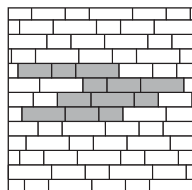
See page 30 for more information about applications.

Specifications per pallet	Imperial	Metric
Cubing	<b>77.14 ft<sup>2</sup></b>	7.17 m <sup>2</sup>
Approx. Weight	3 561 lbs	1 615 kg
Number of rows	7	
Coverage per row	11.02 ft <sup>2</sup>	1.02 m <sup>2</sup>
Linear coverage per row	22.40 lin. ft	6.83 lin. m

	Unit dimensions	in	mm	Units/pallet
	Height	3 15/16	100	49 units
	Width	5 7/8	150	
	Length	8 7/8	225	
	Height	3 15/16	100	49 units
	Width	5 7/8	150	
	Length	12 13/16	325	
	Height	3 15/16	100	49 units
	Width	5 7/8	150	
	Length	16 3/4	425	

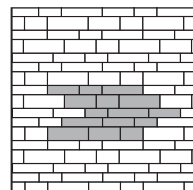
### 02 | Linear pattern

100% - large rectangles



### 03 | Linear pattern

52% - large rectangles | 48% - small rectangles



Patterns are for design inspiration only. The installer is responsible to calculate & purchase the correct amount of material.

Chestnut Brown

Champlain Grey

Shale Grey

Onyx Black

